

## Model101

### Product Features

Grand stack model

15mm plywood enclosure

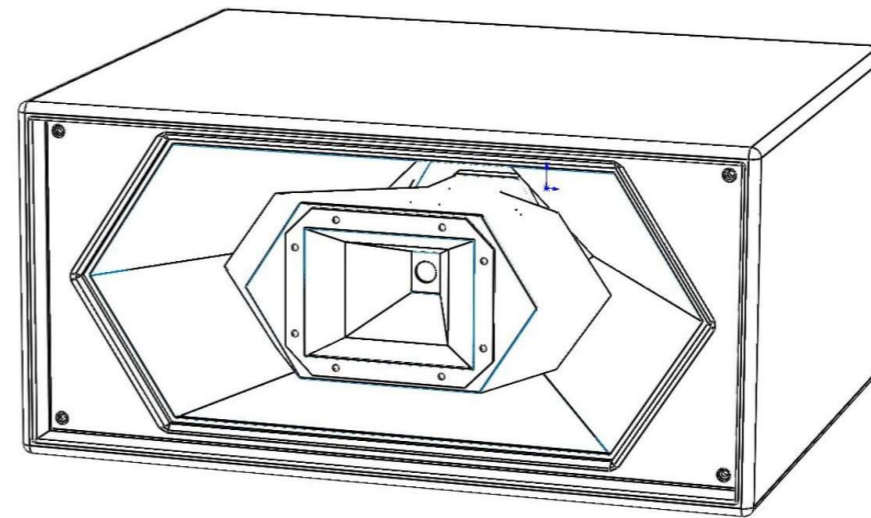
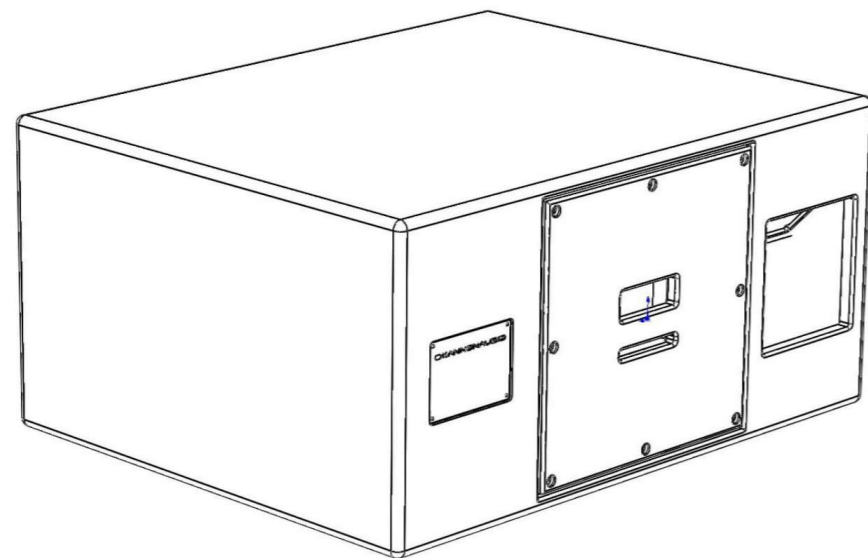
Lightweight

Low weight Neodymium magnets throughout

Fibre glass molded horn

This series features the same width and smart stack

Neutrik speakON\* NL4 connectors for reliable long life operation



Driver	Frequency characteristic	Sensitivity 1W(2.8V) at 1m	Power (AES)	Nominal Impedance
8"	290-6kHz	dB	250w	16Ohm
1"	1k-20kHz	dB	50w	16Ohm
<b>Frequency response</b>	300Hz - 20kHz			
<b>Weight</b>	kg			
<b>Nominal dispersion</b>	75 Horizontal x 25 Vertical			
<b>Connectors</b>	2 x SpeakON* NL4			

### Summary column

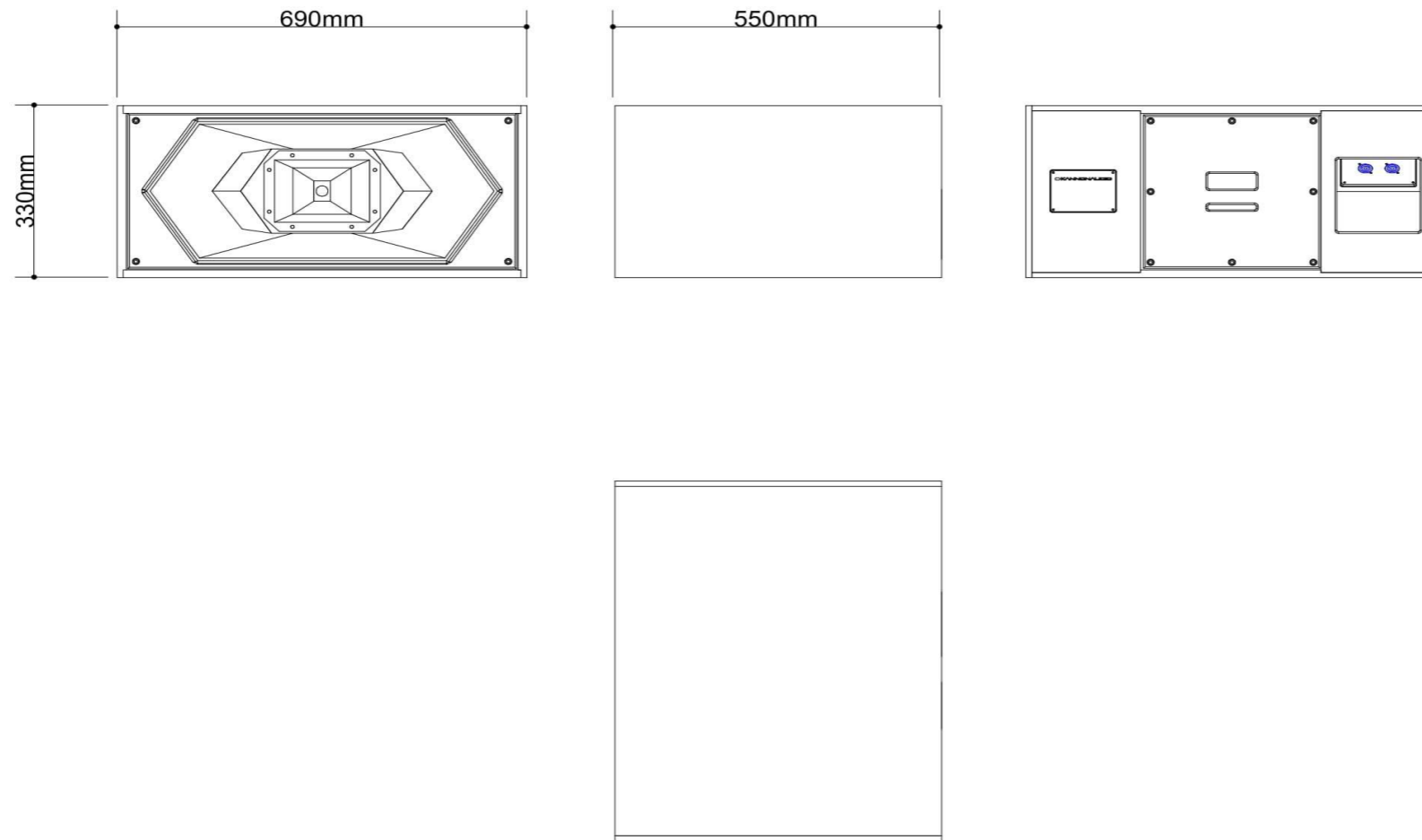
Model101 has a horizontal directivity of 75.

Since it has a wider directivity than the front road horns of other companies, it is possible to cover a wide area simply by stacking the main speakers vertically.

Model101 has a simple enclosure design for the Grand stack.

Use with Model102 and Model103.

Technical drawings



Model 101

Download files

Accessories

Spacer

