

## Model102

### Product Features

Grand stack model

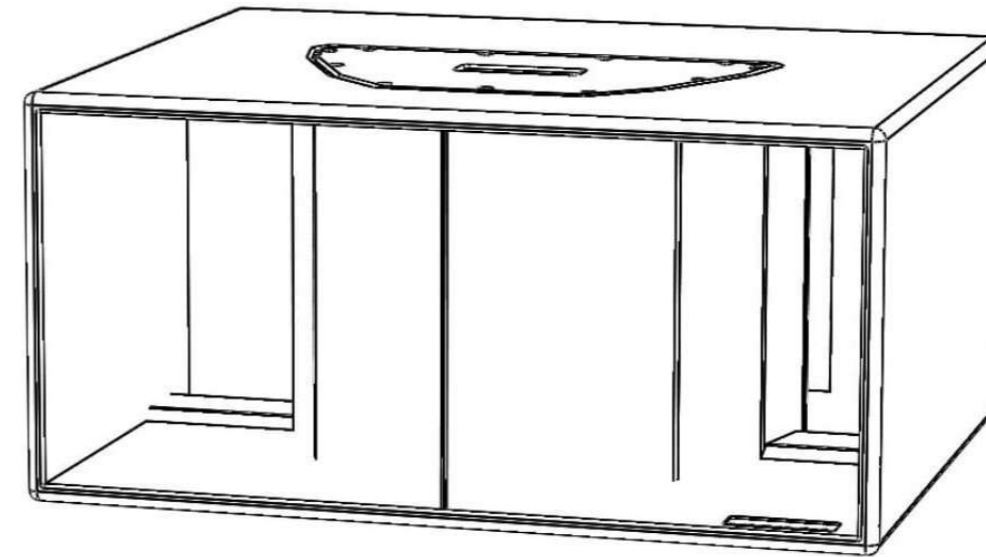
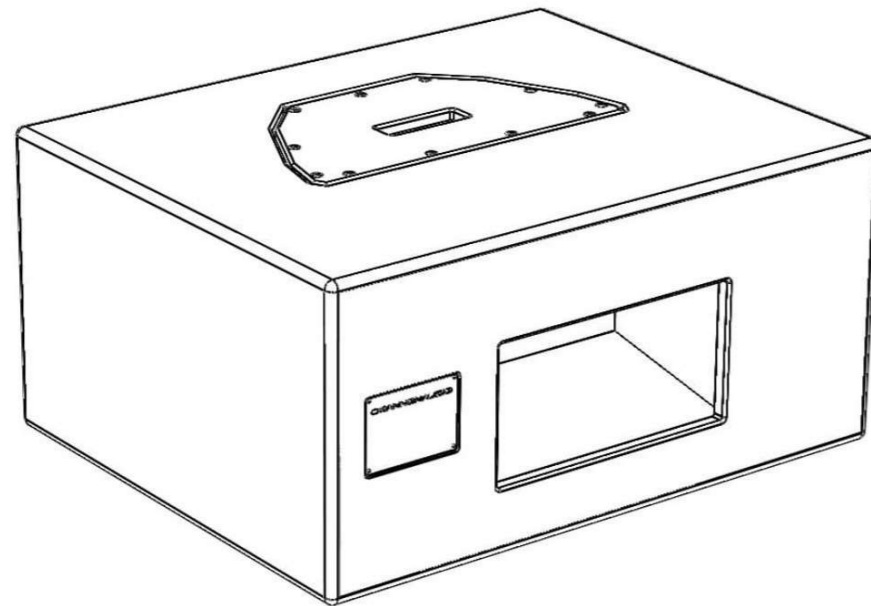
15mm plywood enclosure

Lightweight

Low weight Neodymium magnets throughout

This series features the same width and smart stack

Neutrik speakON\* NL4 connectors for reliable long life operation



<b>Driver</b>	<b>Frequency characteristic</b>	<b>Sensitivity</b>	<b>Power (AES)</b>	<b>Nominal impedance</b>
10"	60Hz-7kHz	1W(2.8V) at 1m dB	250w	16Ohm
<b>Frequency response</b>	60Hz – 7kHz			
<b>Weight</b>	kg			
<b>Nominal dispersion</b>	90 Horizontal			
<b>Connectors</b>	2 x SpeakON* NL4			

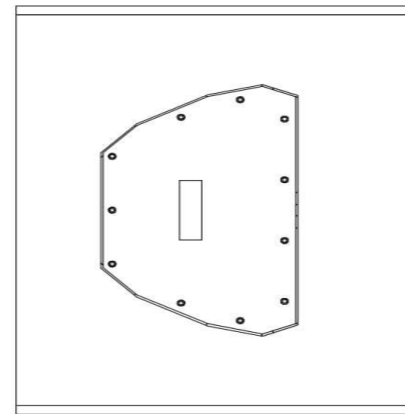
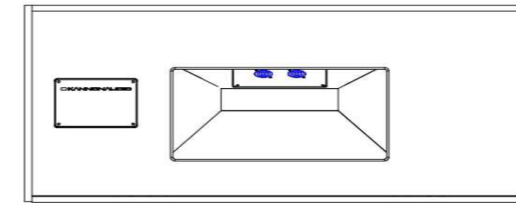
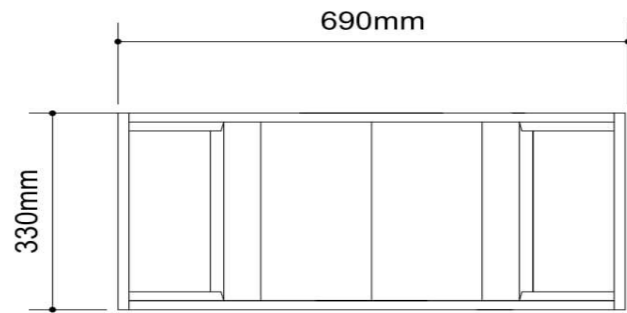
### Summary column

Model102 has a horizontal directivity of 90.

Model102B has a simple enclosure design for the Grand stack.

Use with Model101G and Model103.

Technical drawings



Model 102

Download files

Accessories

Spacer

