

## Model103 Touring

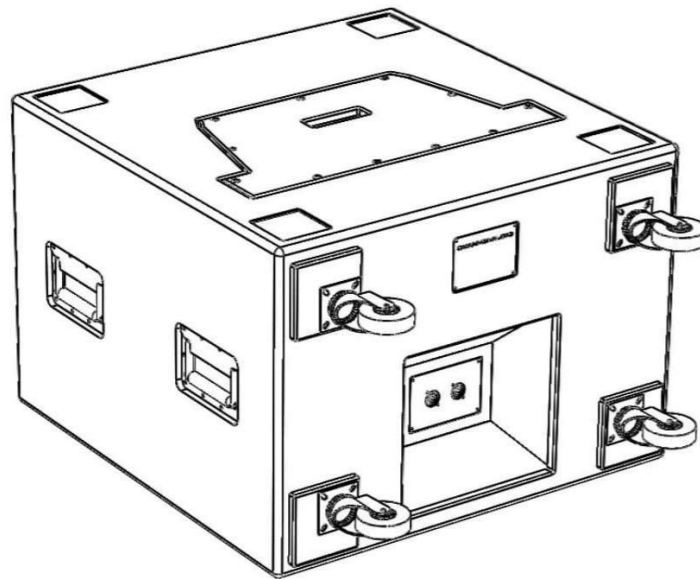
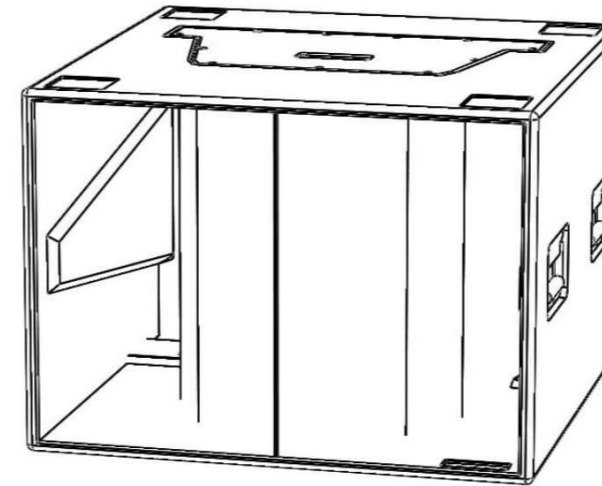
### Product Features

15mm and 18mm plywood enclosure

Lighter weight has been achieved by using 15mm and 18mm plywood

Low weight Neodymium magnets throughout

Neutrik speakON\* NL4 connectors for reliable long life operation



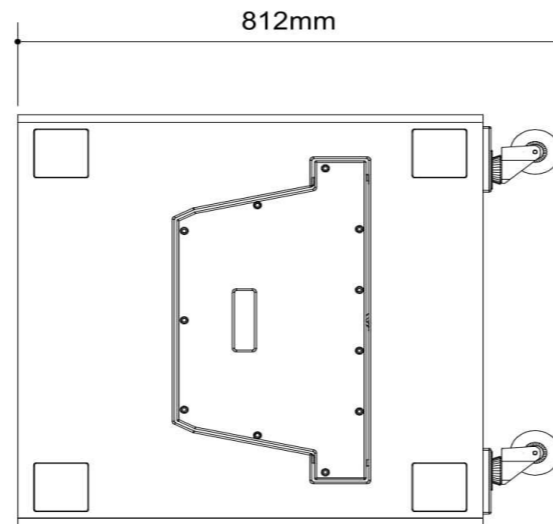
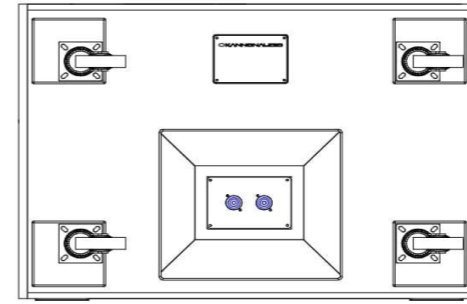
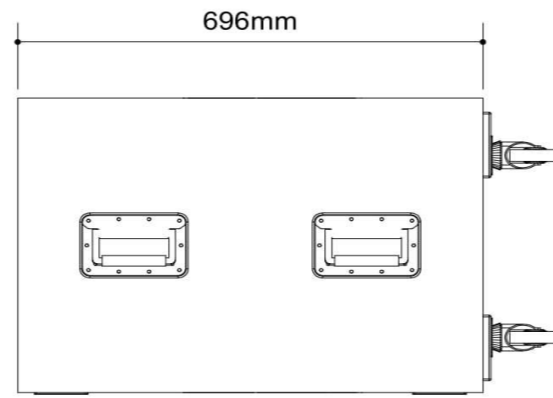
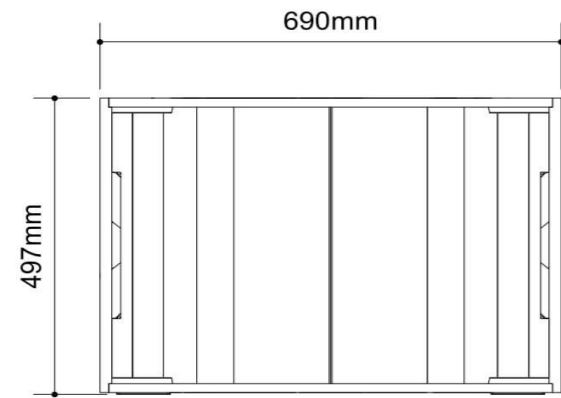
Driver	Frequency characteristic	Sensitivity	Power (AES)	Nominal impedance
18"	35Hz-3.5kHz	1W(2.8V) at 1m dB	1000w	8Ohm
<b>Frequency response</b>	35Hz – 3.5kHz			
<b>Weight</b>	kg			
<b>Connectors</b>	2 x SpeakON* NL4			

### Summary column

All System100 models are constructed with a closed back cabinet front load horn.

Use with Model101 and Model102.

Technical drawings



Model 103 Touring

[Download files](#)

[Accessories](#)