

Model201

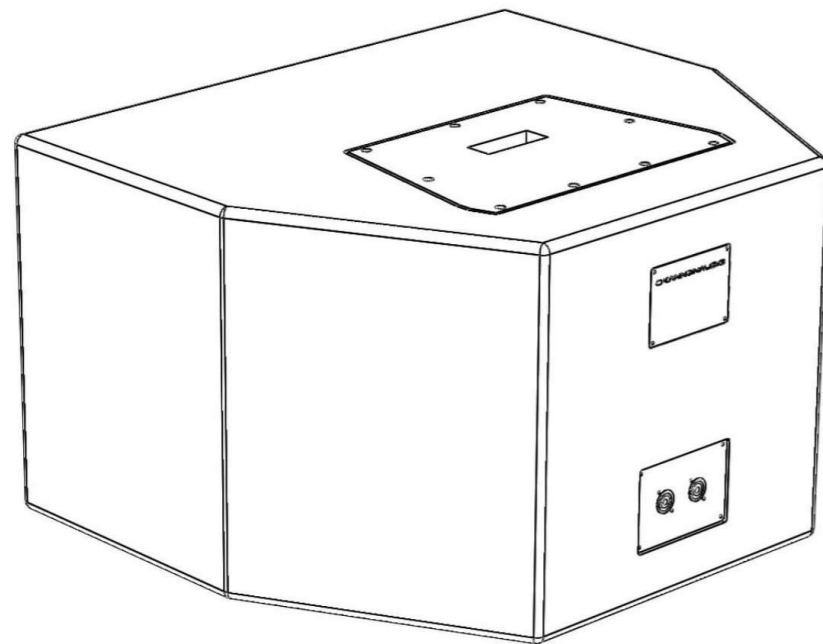
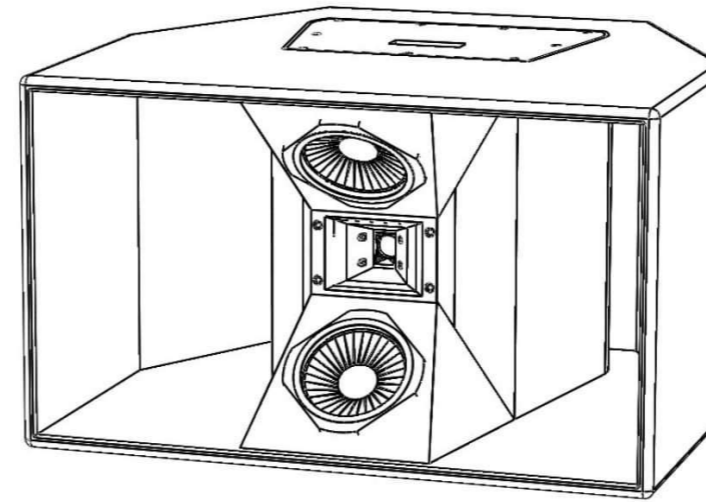
Product Features

Grand stack model

Near field speaker

15mm plywood enclosure

Neutrik speakON* NL8 connectors for reliable long life operation



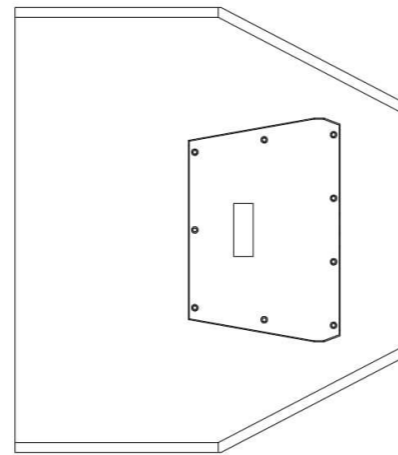
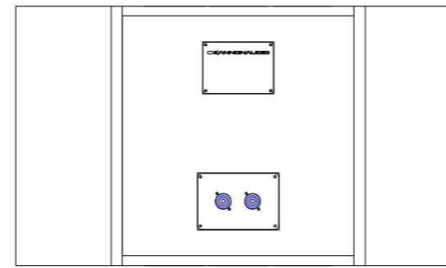
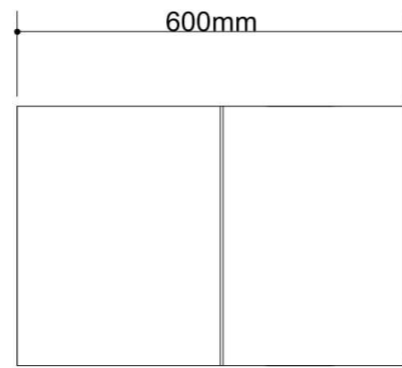
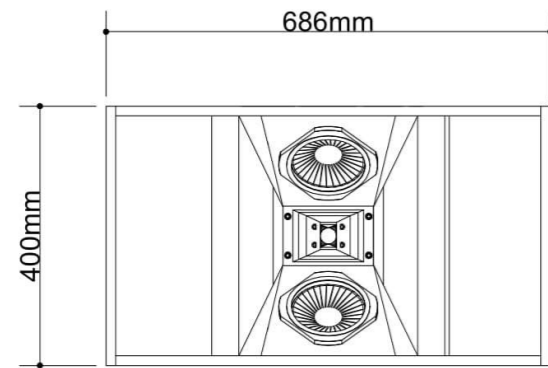
Driver	Frequency characteristic	Sensitivity 1W(2.8V) at 1m	Power (AES)	Nominal impedance
12"	40Hz-1.5Hz	dB	1000w	8Ohm
5"	240Hz-10kHz	dB	200w	16Ohm
1"	1k-20kHz	dB	50w	16Ohm
Frequency response		40Hz - 20kHz		
Weight		kg		
Connectors		2 x SpeakON* NL8		

Summary column

Model201 and Model201B and Model202 features the same width and smart stack.

Use with Model201B.

Technical drawings



Model 201

Download files

Accessories

Spacer

