

## Model203

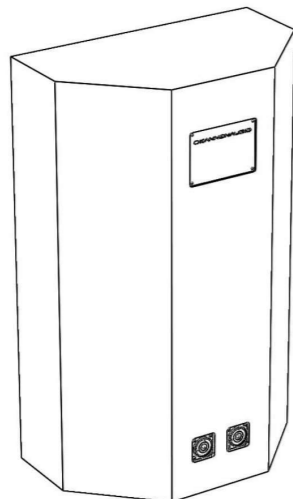
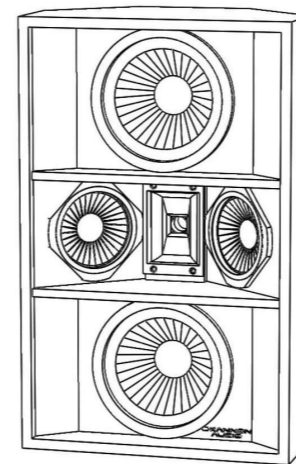
### Product Features

Active design with amplifier on sub low

15mm and 12mm plywood enclosure

Achieves weight reduction using 15mm and 12mm plywood

Neutrik speakON\* NL8 connectors for reliable long life operation

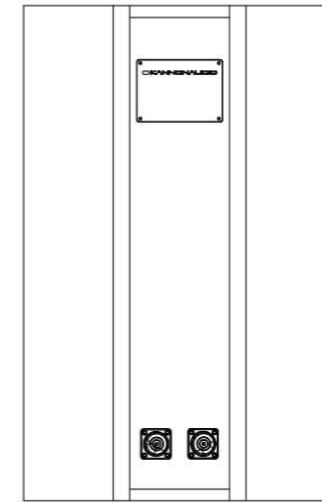
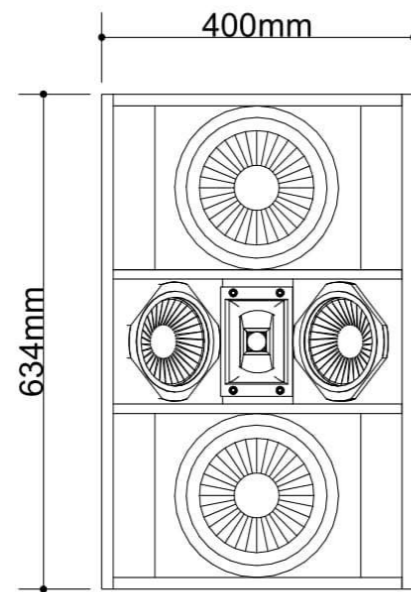


Driver	Frequency characteristic	Sensitivity 1W(2.8V) at 1m	Power (AES)	Nominal impedance
8"	80Hz-4kHz	dB	700w	16Ohm
5"	240Hz-10kHz	dB	200w	16Ohm
1"	1kHz-20kHz	dB	40w	16Ohm
<b>Frequency response</b>	80Hz - 20kHz			
<b>Weight</b>	kg			
<b>Connectors</b>	2 x SpeakON* NL8			

### Summary column

Use with Model203B.

Technical drawings



Model 203

[Download files](#)

[Accessories](#)