

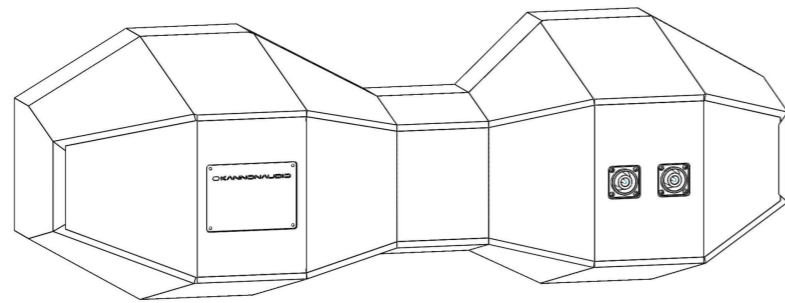
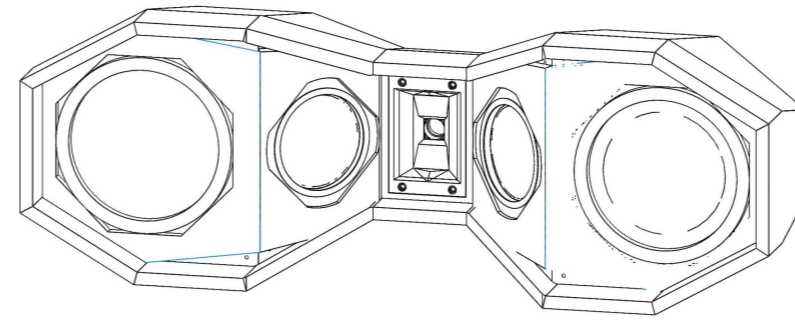
# Model204

## Product Features

15mm plywood enclosure

Low weight Neodymium magnets throughout

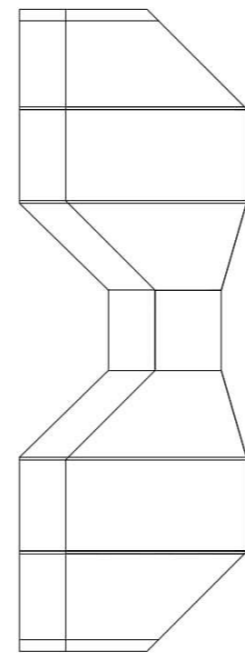
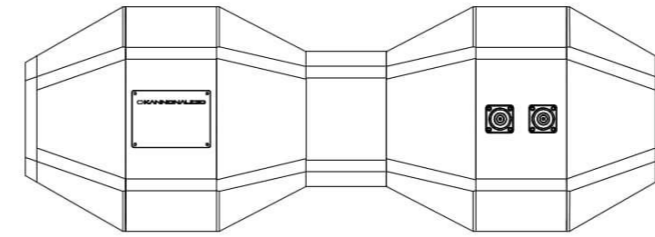
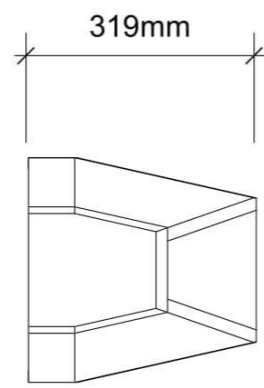
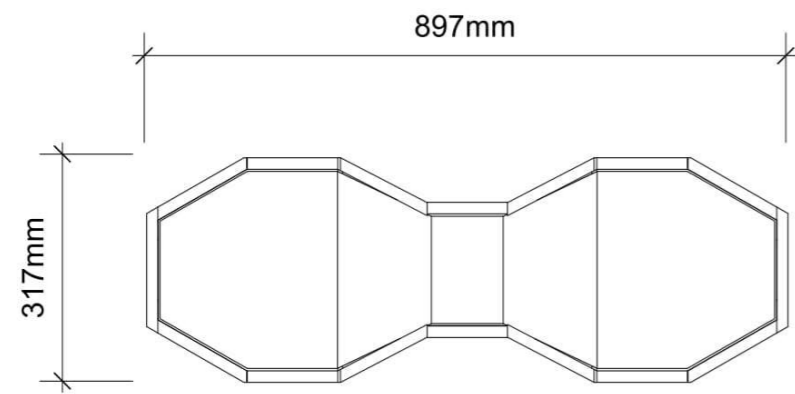
Neutrik speakON\* NL8 connectors for reliable long life operation



Driver	Frequency characteristic	Sensitivity 1W(2.8V) at 1m	Power (AES)	Nominal impedance
8"	50Hz-4kHz	dB	250w	16Ohm
5"	65Hz-7kHz	dB	200w	16Ohm
1"	1.5kHz-20kHz	dB	40w	16Ohm
<b>Frequency response</b>	50Hz - 20kHz			
<b>Weight</b>	kg			
<b>Connectors</b>	2 x SpeakON* NL8			

Summary column

Technical drawings



Model 204

[Download files](#)

[Accessories](#)