

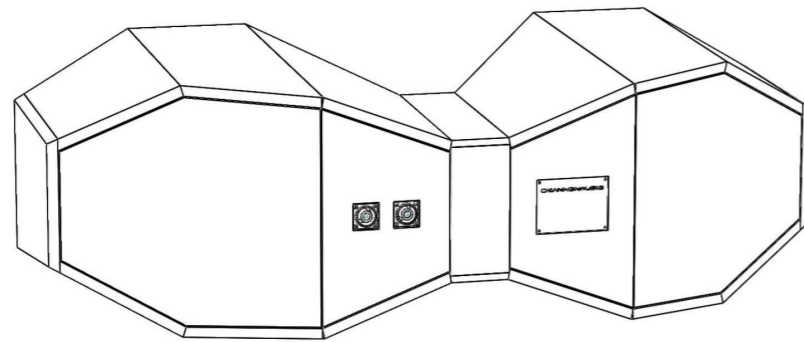
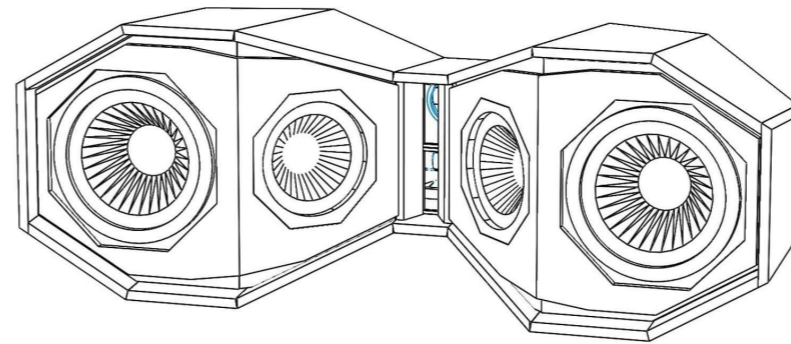
Model301

Product Features

15mm plywood enclosure

Low weight Neodymium magnets throughout

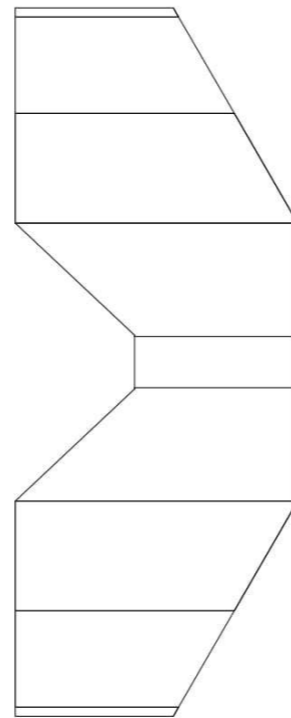
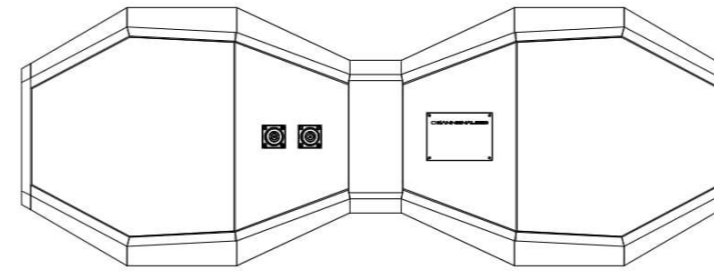
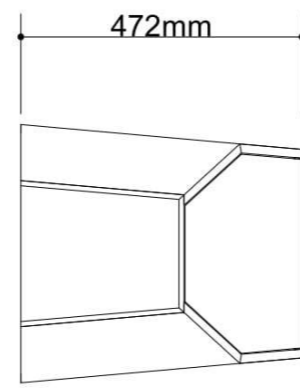
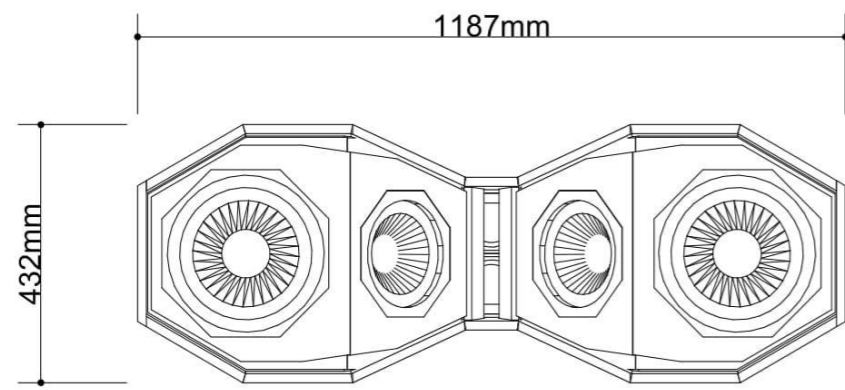
Neutrik speakON* NL8 connectors for reliable long life operation



Driver	Frequency characteristic	Sensitivity 1W(2.8V) at 1m	Power (AES)	Nominal impedance
10"	235Hz-3.5kHz	dB	800w	16Ohm
8"	295Hz-6kHz	dB	500w	16Ohm
1"	1kHz-20kHz	dB	100w	16Ohm
Frequency response	250Hz - 20kHz			
Weight	kg			
Connectors	2 x SpeakON* NL8			

Summary column

Technical drawings



Model 301

[Download files](#)

[Accessories](#)