

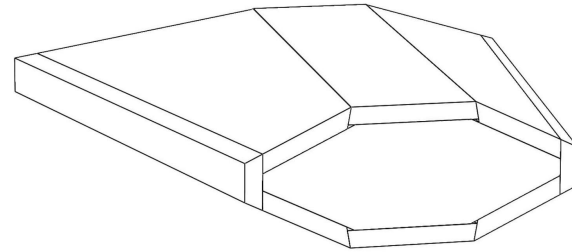
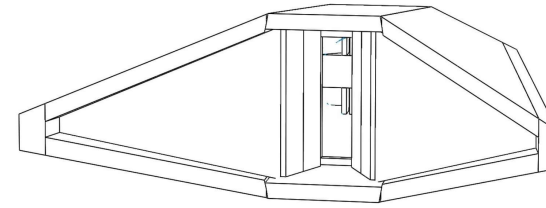
Model302

Product Features

15mm plywood enclosure

Low weight Neodymium magnets throughout

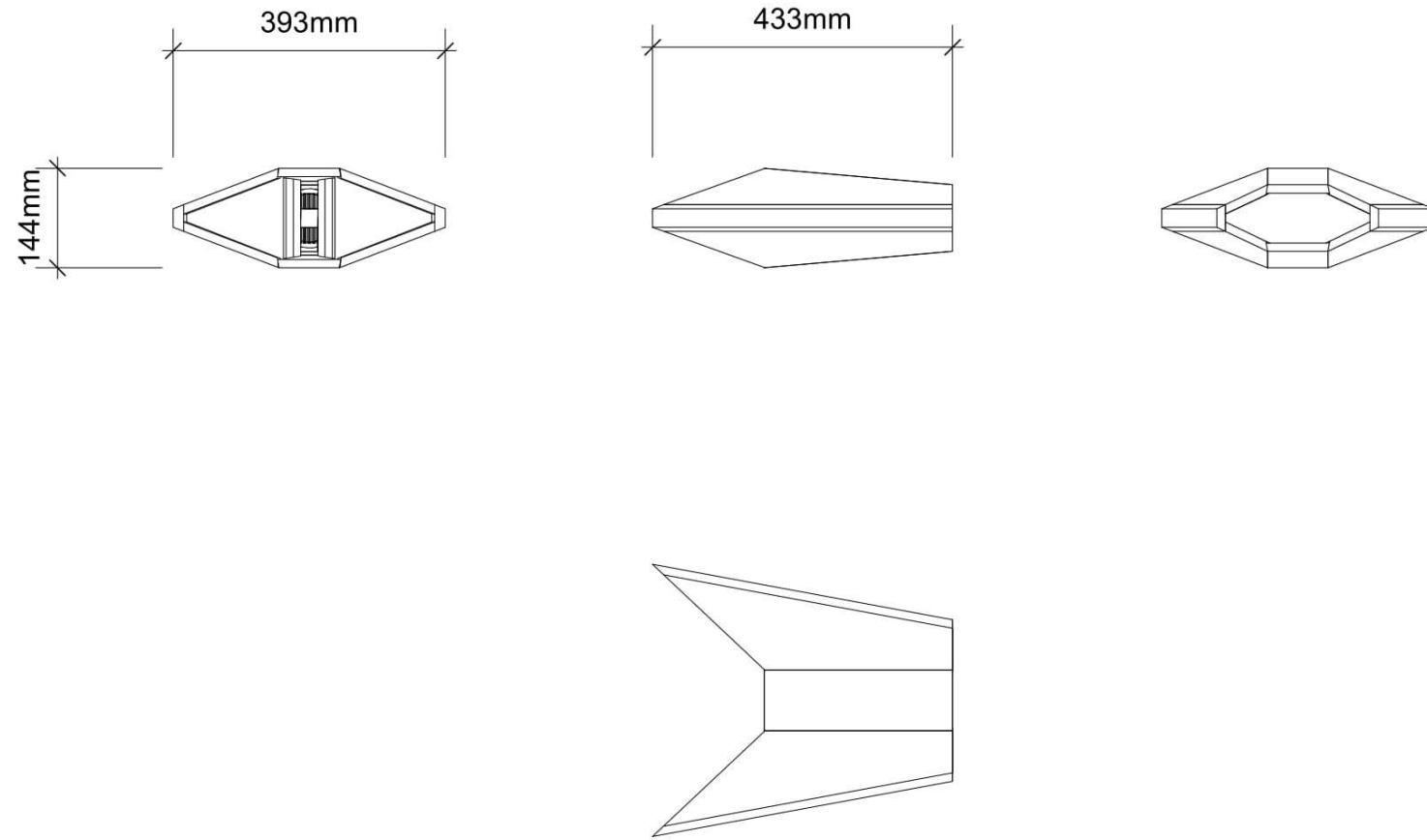
Neutrik speakON* NL8 connectors for reliable long life operation



| | | | | |
|---------------------------|---------------------------------|----------------------|--------------------|--------------------------|
| Driver | Frequency characteristic | Sensitivity | Power (AES) | Nominal impedance |
| 1" | 1kHz-20kHz | 1W(2.8V) at 1m dB | 100w | 16Ohm |
| Frequency response | 1kHz - 20kHz | | | |
| Weight | kg | | | |
| Connectors | 2 x SpeakON* NL8 | | | |

Summary column

Technical drawings



Model 302

[Download files](#)

[Accessories](#)