

Model608

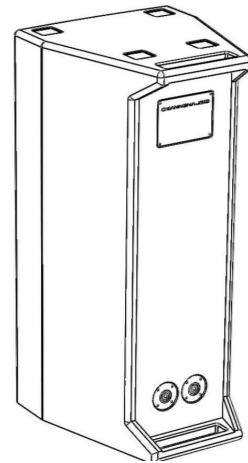
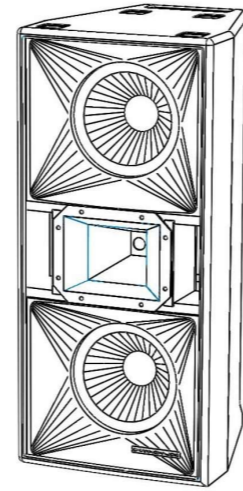
Product Features

Active design with amplifier on sub low

15mm plywood enclosure

Achieves weight reduction using 15mm plywood

Neutrik speakON* NL4 connectors for reliable long life operation

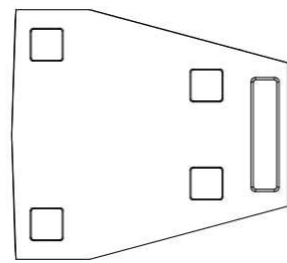
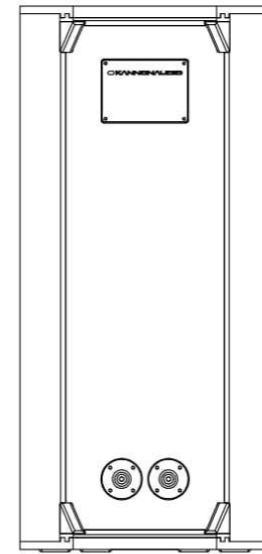
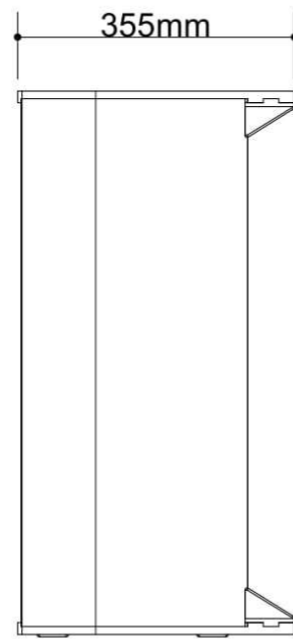
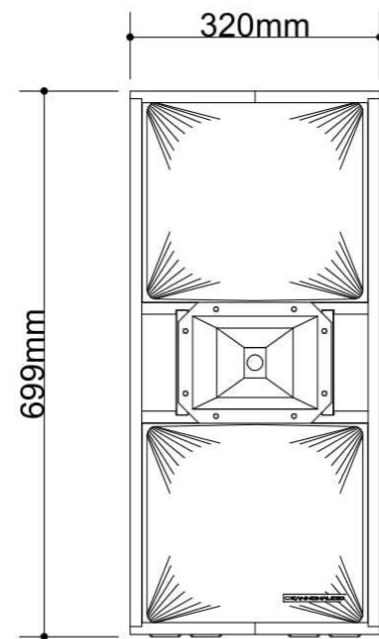


Driver	Frequency characteristic	Sensitivity	Power (AES)	Nominal impedance
8"	80Hz-10kHz	1W(2.8V) at 1m dB	700w	8Ohm
1"	1kHz-20kHz	dB	50w	16Ohm
Frequency response	80Hz - 20kHz			
Weight	kg			
Connectors	2 x SpeakON* NL4			

Summary column

Use with Model615P

Technical drawings



Model 608

Download files

Accessories

Fright case

