

Model 615ASW

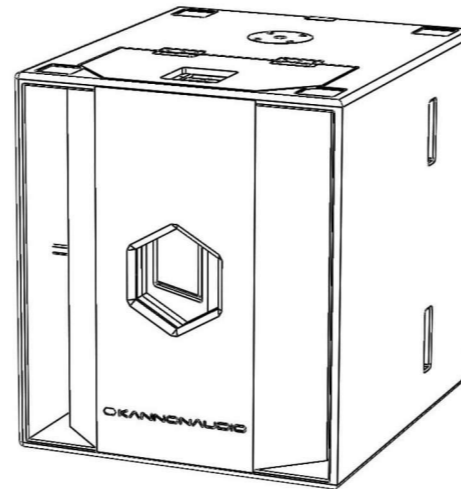
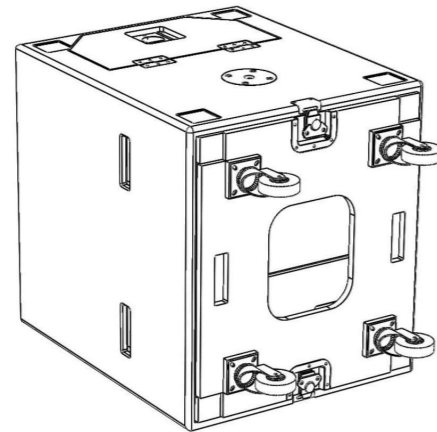
Product Features

Active sub woofer

15mm plywood enclosure

Achieves weight reduction using 15mm plywood

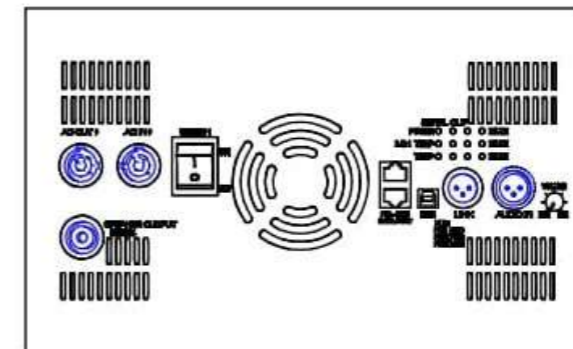
Neutrik speakON* NL4 connectors for reliable long life operation



Driver	Frequency characteristic	Sensitivity	Power (AES)	Nominal impedance
15"	35Hz-3kHz	1W(2.8V) at 1m dB	1000w	8Ohm
Frequency response	35Hz - 3kHz			
Weight	kg			
Connectors	2 x SpeakON* NL4			

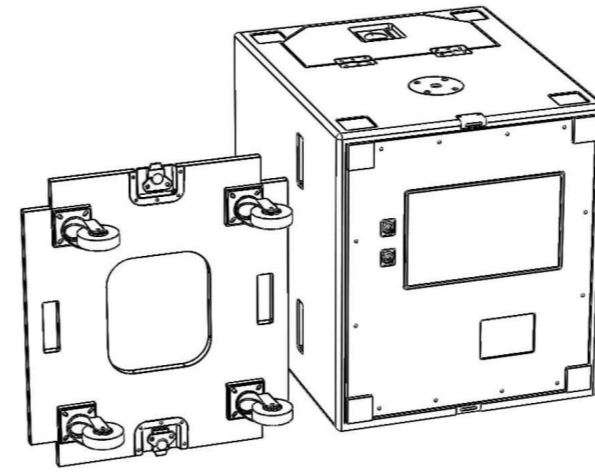
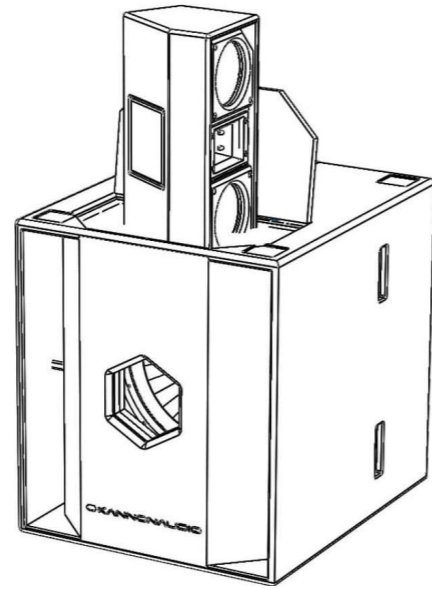
Amplifier Specifications

8Ω Stereo Power	L:1500W+M:500W+H:500W
4Ω Stereo Power	L:1800W+M:900W+H:900W
Frequency Response	20Hz-20KHz ±1dB
THD+N 1KHz 1W 8Ω	<0.1%
Signal to Noise Ratio 1KHz	>100dB
Channel Separation 1KHz	>80dB
Class	D
Protection	Short, DCP, OVP, UVP, OCP, OTP
Operating Voltage	110V version: 90W amplifier specification V-135V / 220V version: 180V-265V
input Sensitivity	1V
Input Impedance	20KΩ
DSP Function	MUTE, Polarity, Gain, Delay, Limiter, EQ, Xover, AFP
DSP Control	USB and RS-485

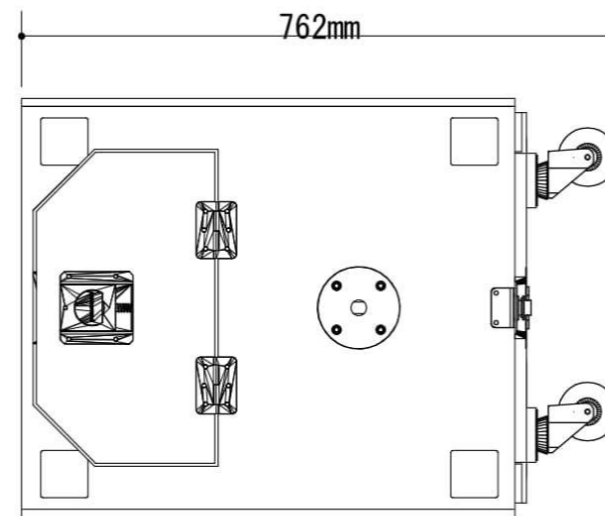
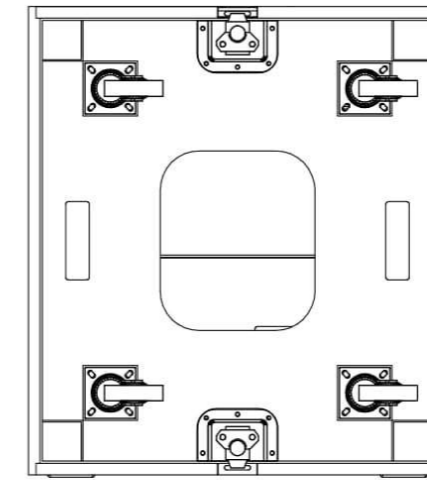
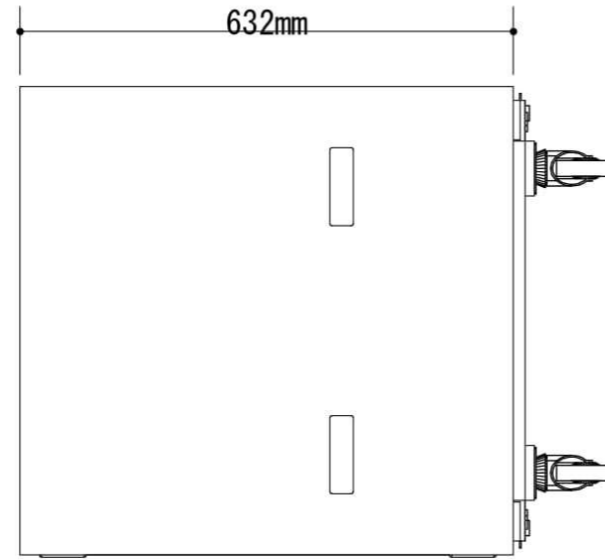
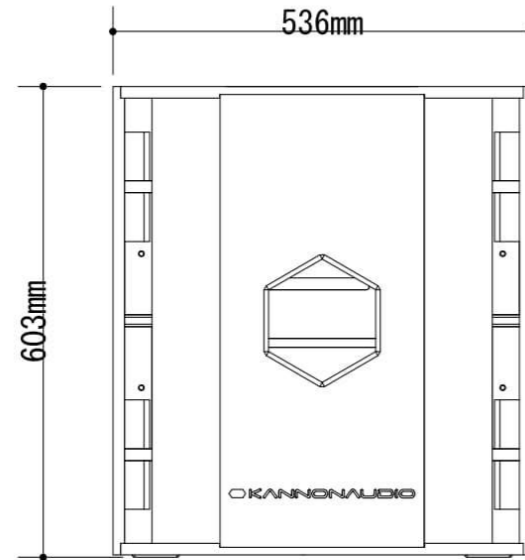


Summary column

Use with Model606



Technical drawings



Model 615ASW

[Download files](#)

[Accessories](#)