

Model615P

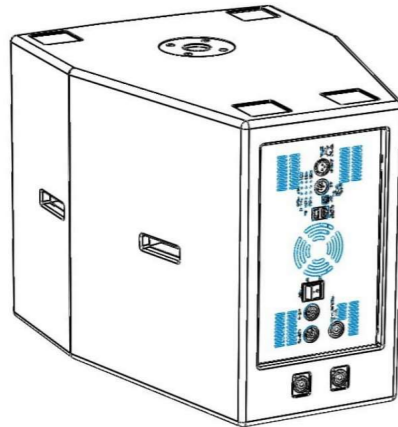
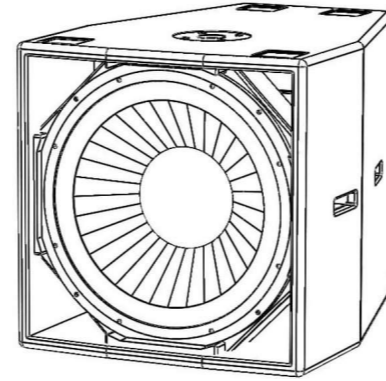
Product Features

Active sub woofer

15mm and 18mm plywood enclosure

Achieves weight reduction using 15mm and 18mm plywood

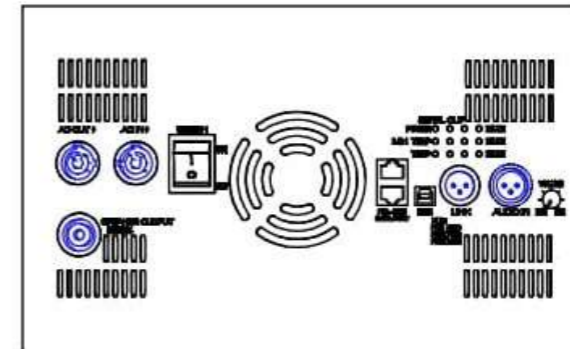
Neutrik speakON* NL4 connectors for reliable long life operation



| Driver | Frequency characteristic | Sensitivity | Power (AES) | Nominal impedance |
|---------------------------|--------------------------|----------------------|-------------|-------------------|
| 15" | 35Hz-3kHz | 1W(2.8V) at 1m dB | 1000w | 8Ohm |
| Frequency response | 35Hz - 3kHz | | | |
| Weight | kg | | | |
| Connectors | 2 x SpeakON* NL4 | | | |

Amplifier Specifications

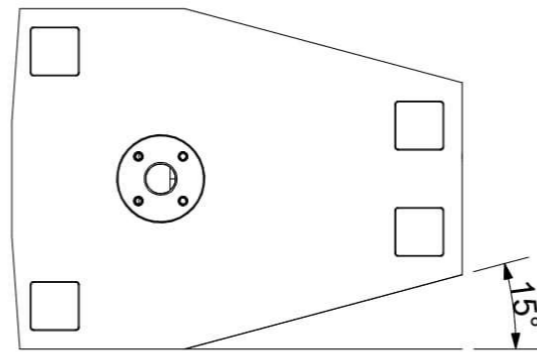
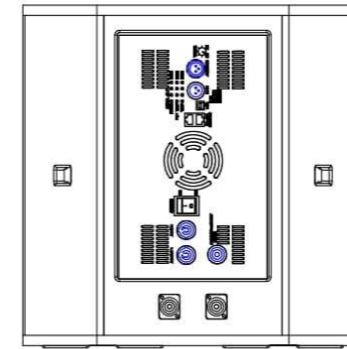
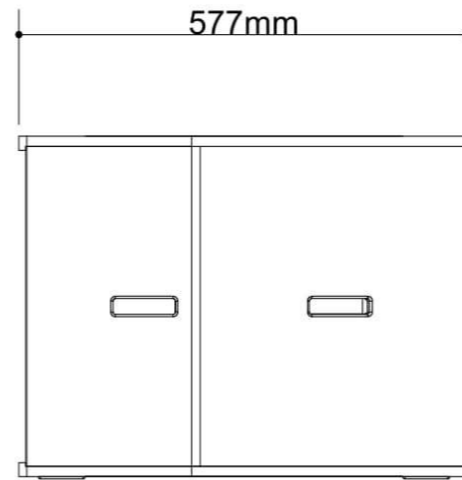
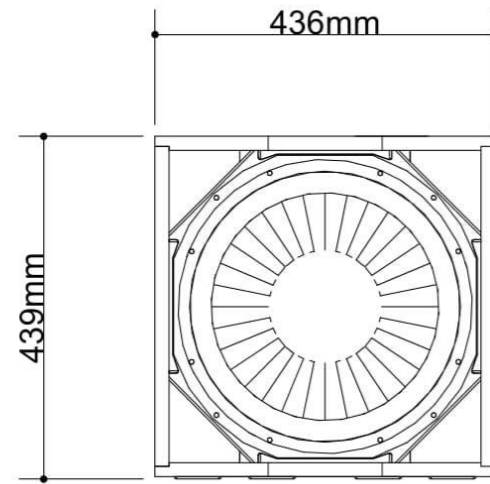
| | |
|----------------------------|--|
| 8Ω Stereo Power | L:1500W+M:500W+H:500W |
| 4Ω Stereo Power | L:1800W+M:900W+H:900W |
| Frequency Response | 20Hz-20KHz ±1dB |
| THD+N 1KHz 1W 8Ω | <0.1% |
| Signal to Noise Ratio 1KHz | >100dB |
| Channel Separation 1KHz | >80dB |
| Class | D |
| Protection | Short, DCP, OVP, UVP, OCP, OTP |
| Operating Voltage | 110V version: 90Amplifier specificationV-135V / 220V versioin: 180V-265V |
| input Sensitivity | 1V |
| Input Impedance | 20KΩ |
| DSP Fuction | MUTE, Polarity, Gain, Delay, Limiter, EQ, Xover, AFP |
| DSP Control | USB and RS-485 |



Summary column

Use with Model606

Technical drawings

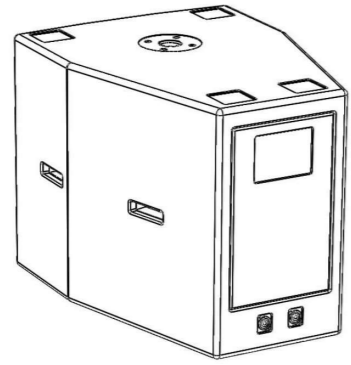


Model 615P

Download files

Accessories

Model615PEX



Fright case

