

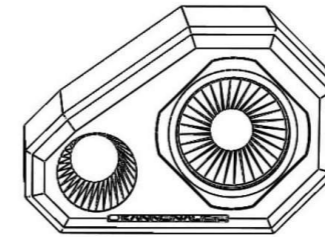
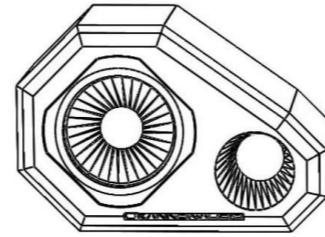
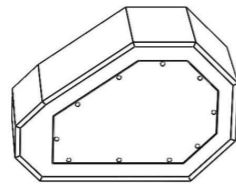
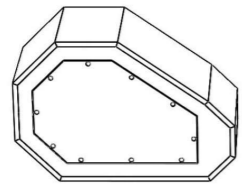
Model701

Product Features

Active design with amplifier on sub low

12mm plywood enclosure

Achieves weight reduction using 12mm plywood

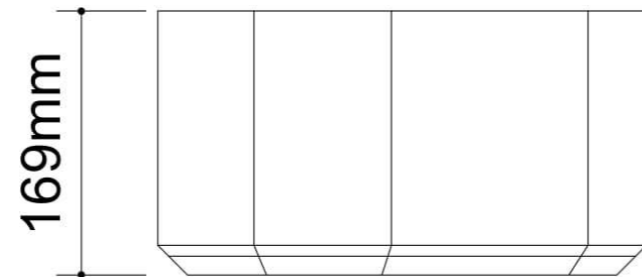
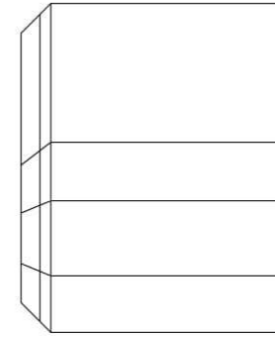
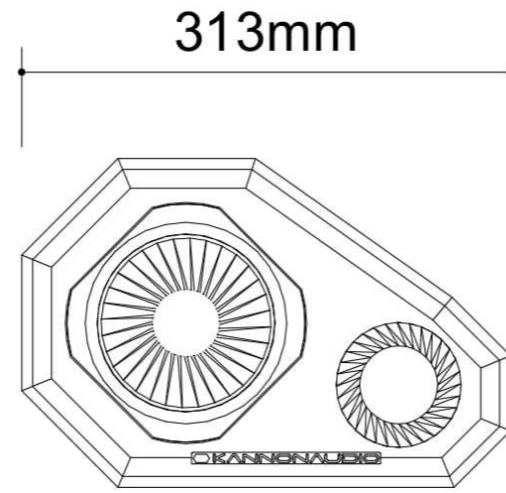
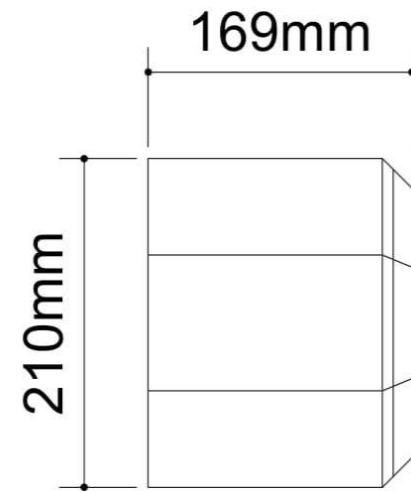


Driver	Frequency characteristic	Sensitivity	Power (AES)	Nominal impedance
5"	80Hz-10kHz	1W(2.8V) at 1m dB	100w	16Ohm
1"	1.5kHz-20kHz	dB	40w	16Ohm
Frequency response	80Hz - 20kHz			
Weight	kg			
Connectors				

Summary column

Use with Model710ASW.

Technical drawings



Model 701

[Download files](#)

[Accessories](#)